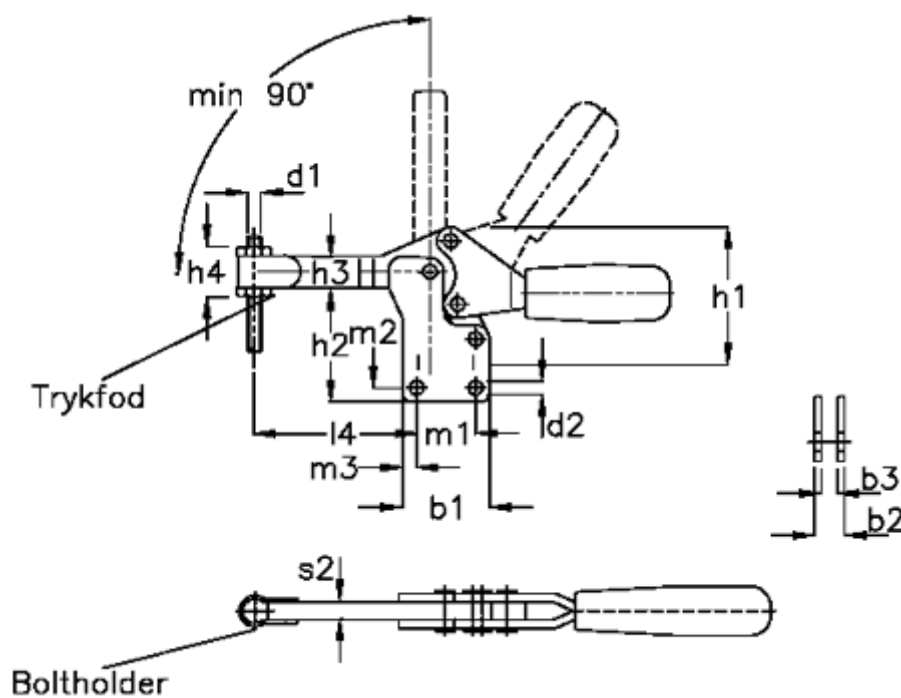


Article number: 2013560891

Description: E+G Klee horizontal clamp, st. steel  
GN 820.1-130-P-NI

## Measures



$b1 = 36$	Holding force N = 1000	$s = 5$
$b2 = 10$	$l1 = 170$	Size = 130
$b3 = 5$	$l2 = 92$	
$d1 = M6$	$l4 = 64$	
$d2 = 5.5$	$m1 = 26.0$	
$h1 = 64.0$	$m2 = 7.0$	
$h2 = 43.0$	$m3 = 5.0$	
$h3 = 14$	$r = 62.0$	